
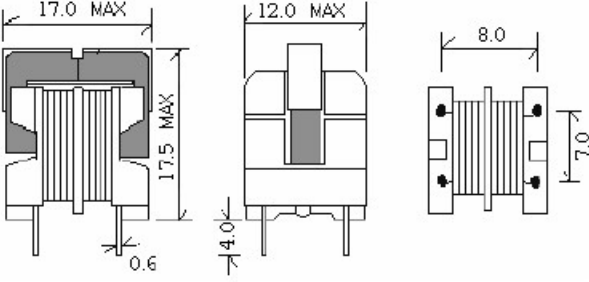

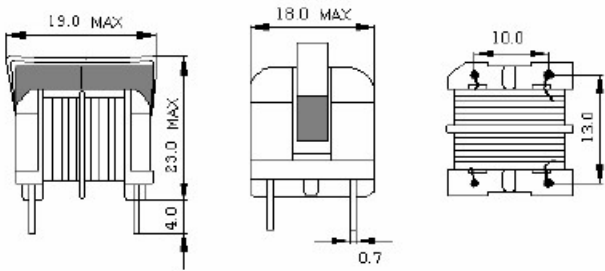

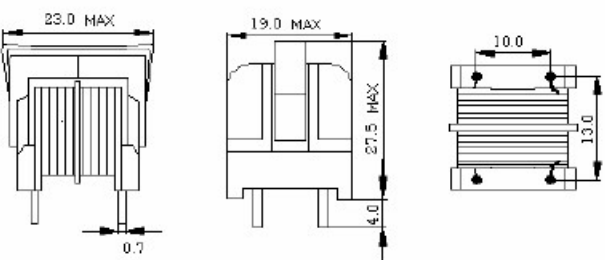


PEIAN ELECTRONIC MANUFACTURING CO LTD

EMI LINE FILTER

TYPE	DIMENSIONS(mm)
<p>UU-9.8</p> 	
<p>UU-10.5</p> 	
<p>UU-15.7</p> 	
<p>EE-25</p> 