

### 1000BASE-T MAGNETICS MODULES

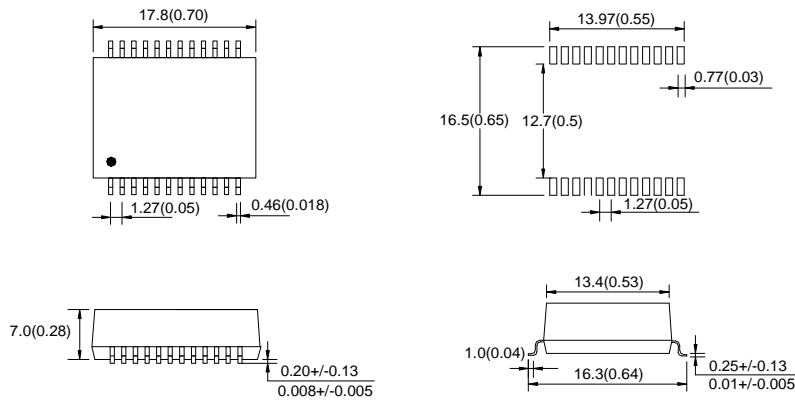
Designed to Support 1:1 Turns Ratio Transceivers

#### FEATURES:

- Designed for long haul Gigabit Ethernet 100/1000Base-T, full duplex applications.
- Supports 4 pairs of category 5 UTP cable
- Cable interface for isolation and low common mode emissions
- Compliant with IEEE 802.3ab standard for 1000Base-T

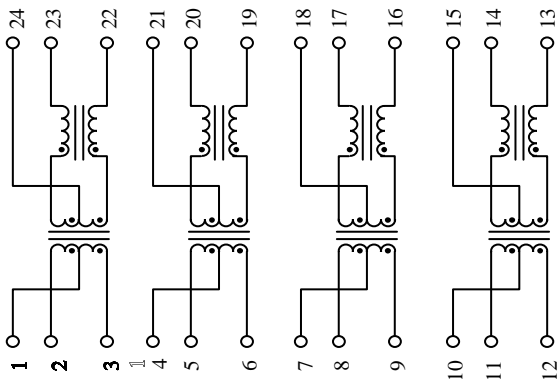
Part NO	Insertion Loss (dB MAX)	Return Loss (dB MIN @ 100 Ω)					Differential to Common Mode Rejection (dB MIN)			Crosstalk (dB MIN)			Hipot (Vrms MIN)
		1-100 MHz	1-30MHz	40MHz	50MHz	60-80MHz	100MHz	30MHz	60MHz	100MHz	30MHz	60MHz	
PHST-5004	1.0	-18	-14.4	-13.1	-12	-10	-43	-37	-33	-45	-40	-35	1500
PHST-5007	1.0	-18	-14.4	-13.1	-12	-10	-43	-37	-33	-45	-35	-30	1500

**DIMENSION:**mm+/-0.25



#### SCHEMATIC:

PML5004



PML5007

