

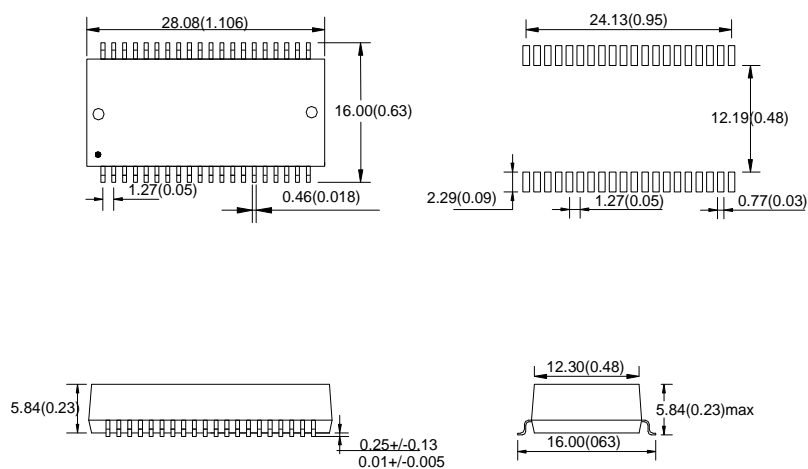
10/100BASE-TX DUAL PORT SMT TRANSFORMER

Features:

- Designed to meet IEEE 802.3 requirements.
- Designed to meet IR requirement.
- Environmental: At 250 degree C for 1 minute.
- Primary inductance(Lp): 350uH min. @ 100KHz, 0.1Vrms, 8mA.

Electrical Specification @ 25°C Operating Temperature 0 to 70°C									
Part No.	Insertion loss (dB max) 1-125MHz	Return loss(dB typcal .) MHz				CMRR (dB min.) MHz	Crosstalk (dB min .) MHz	Isolation Voltage (Vrms min)	Turn Raio TX: RX:
		1-30	40	50	60-80	0.1-100	0.1-100		
PHST-1026	-1.0	-18	-15.5	-13.6	-12	-40	-38	1500	1CT:1CT 1CT:1CT
PHST-1027	-1.0	-18	-15.5	-13.6	-12	-40	-38	1500	2CT:1CT 1CT:1CT
PHST-1028	-1.0	-18	-15.5	-13.6	-12	-40	-38	1500	1CT:1CT 1CT:1CT
PHST-1049	-1.0	-18	-15.5	-13.6	-12	-40	-38	1500	1CT:1CT 1CT:1CT

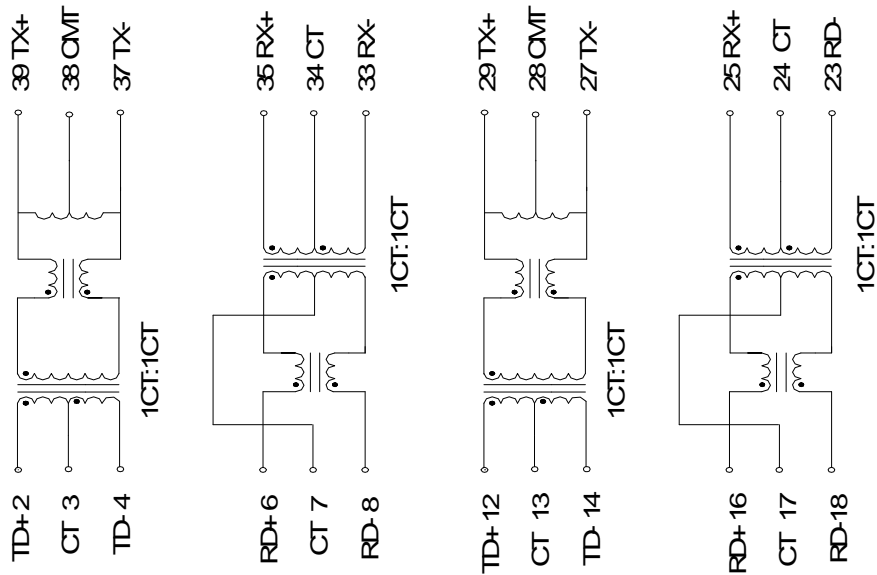
Dimension: mm(inch)+/-0.25(0.01)



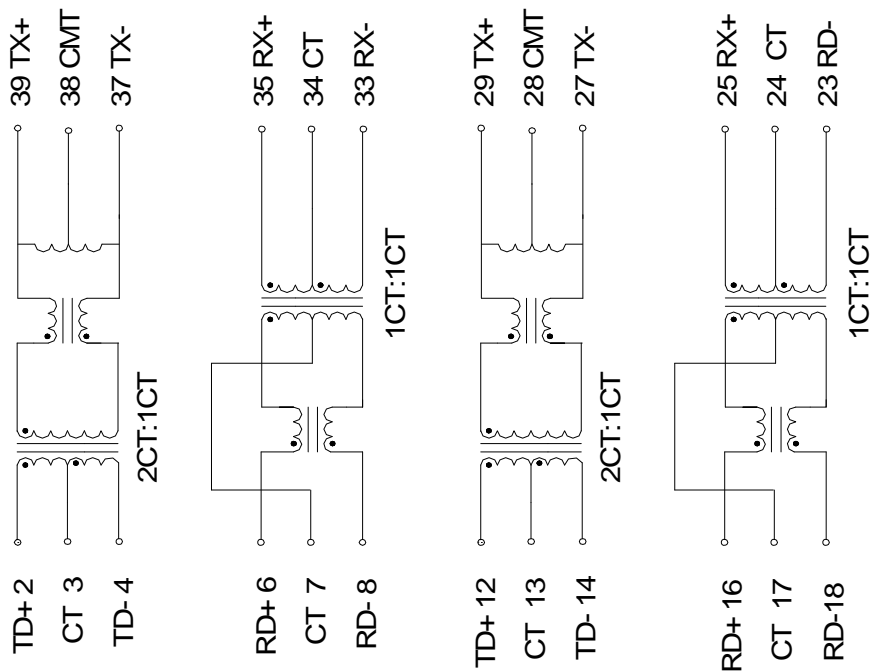
10/100BASE-TX DUAL PORT SMT TRANSFORMERS

Schematic:

PHST-1026



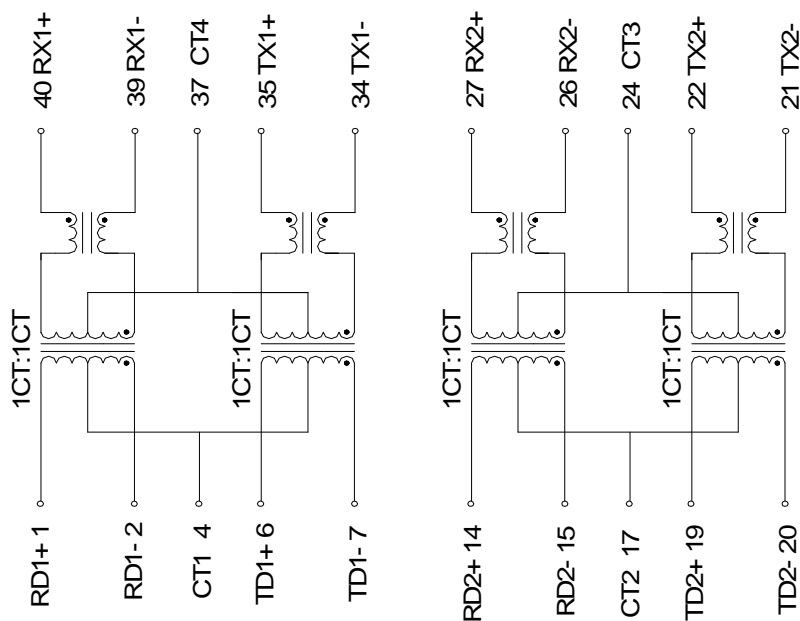
PHST-1027



10/100 BASE TX DUAL PORT SMT TRANSFORMERS

Schematic:

PHST-1028



PHST-1049

