

10/100BASE-TX QUAD PORT SMT TRANSFORMERS

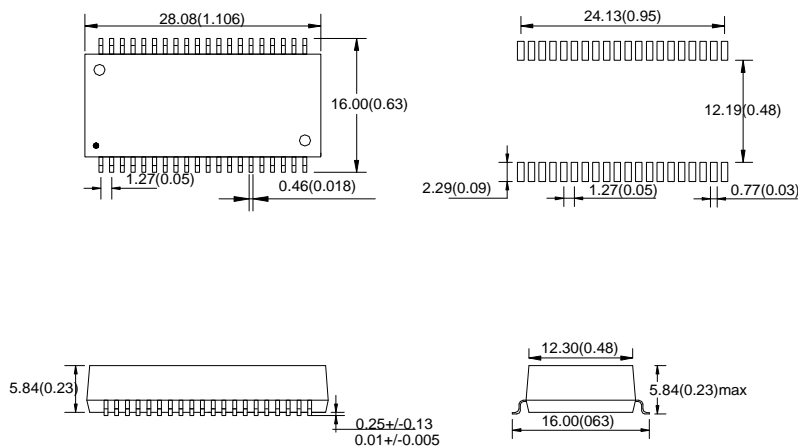
Features:

- Designed to meet IEEE 802.3 requirements.
- Designed for multiport repeater & ethernet switching hub application.
- Environmental: Designed to meet IR 250 degree C for 1minute.
- Primary inductance (LP): 350uH, min. @ 100KHz, 0.1Vrms, 8mA .

Electrical Specification @ 25°C Operating Temperature 0 to 70°C

Part No.	Turn Ratio RX .TX.	Insertion loss (dB max) 1-125MHz	Return Loss(dB min .) MHz				CMRR (dB typ .) MHz	Crosstalk (dB min .) MHz	Isolation Voltage (Vrms)
			1-30	40	50	60-80			
PHST-1044	1:1 1CT:1CT	-1.1	-18	-15.5	-13.6	-12	-40	-38	1500
PHST-1045	1:1 1CT:1CT	-1.1	-18	-15.5	-13.6	-12	-40	-38	1500

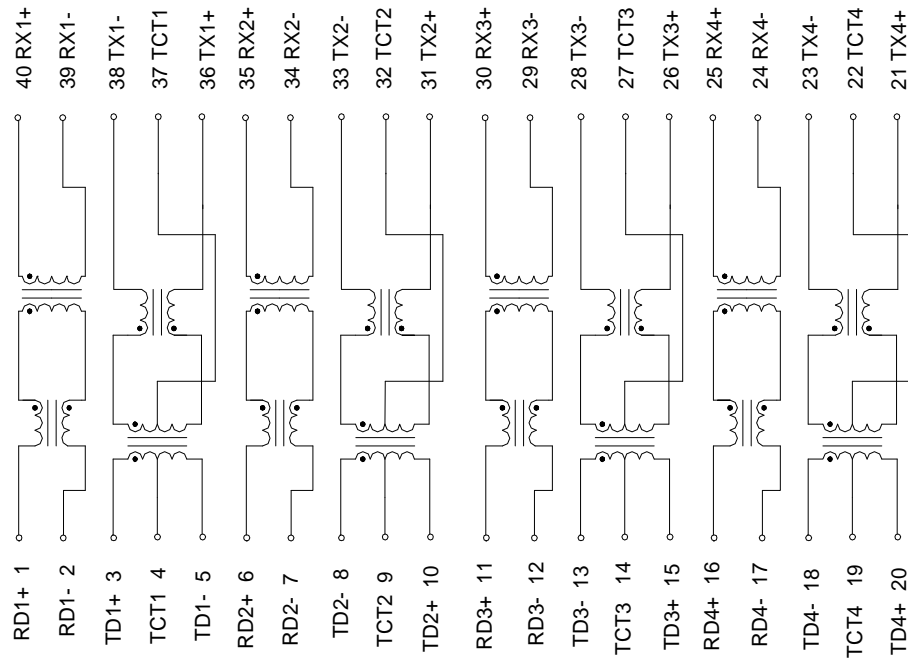
Dimension: mm(inch) +/- 0.25(0.01)



10/100BASE-TX QUAD PORT SMT TRANSFORMERS

Schematic:

PHST-1044



PHST-1045

