

10BASE-T COUPLING TRANSFORMER

Features:

- Meet IEEE 802.3 requirements.
- Meet FCC class B approval.
- SMT pick & place available.

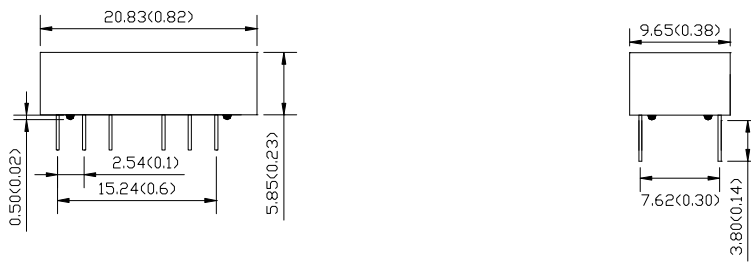
Specifications: at 25 degree C.

Part NO	Primary Inductance (uH) min.	Leakage Inductance (uH) max	Primary Capacitance (pF) max	DCR (ohm) max	Rise Time (ns) max	Hi-Pot Vrms	Turn Ratio	Package	Schematic
PHST-65001	140	0.20	12	0.30	5	1,500	1:1/1:1	a	A
PHST-65002	140	0.20	12	0.30	5	1,500	1:1/1:1	b	A
PHST-65003	140	0.20	12	0.30	5	1,500	1:1/1:1	a	B
PHST-65004	140	0.20	12	0.30	5	1,500	1:1/1:1	b	C
PHST-65005	140	0.20	12	0.30	5	1,500	2:1/1:1	a	B
PHST-65006	140	0.20	12	0.30	5	1,500	2:1/1:1	b	B
PHST-65007	75	0.20	10	0.20	5	1,500	1:1/1:1	b	H
PHST-65008	75	0.20	10	0.20	5	1,500	1:1/1:1	b	A
PHST-65009	75	0.20	10	0.20	5	1,500	1:1/1:1	b	D
PHST-65010	50/200	0.20	12	0.35	5	1,500	1:2/1:1	b	D
PHST-65011	50/200	0.20	12	0.35	5	1,500	1:2/1:1	a	D
PHST-65012	140	0.20	12	0.30	5	1,500	1:1/1:1.414	b	A
PHST-65013	140	0.20	12	0.30	5	1,500	1:1/1:1.414	b	B
PHST-65014	140	0.30	12	0.60	5	1,500	1CT:2CT/1CT:1CT	b	A
PHST-65015	200	0.30	12	1.0	5	1,500	1CT:2CT/1CT:1CT	b	F
PHST-65016	112	0.3	8	0.8	5	1,500	1CT:2CT/1CT:1CT	b	E
PHST-65017	140	0.2	12	0.6	5	2,000	1CT:2CT/1CT:1CT	b	G
PHST-65018	200	0.5	15	0.4	5	1,500	1CT:2.5CT/1CT:1CT(±5%)	b	H
PHST-65019	200	0.6	12	0.5	5	1,500	1CT:2CT/1CT:1CT(±5%)	b	H
PHST-65020	140	0.6	12	0.2	5	1,500	1CT:2CT/1CT:1CT(±5%)	b	H
PHST-65021	200	0.50	12	0.6	5	1,500	1CT:1.414CT/1CT:1CT(±5%)	b	G
PHST-65022	140	0.20	12	0.30	5	1,500	1CT:1CT/1CT:1CT	b	I
PHST-65023	140	0.20	12	0.30	5	1,500	1CT:1CT/1CT:1CT	b	G
PHST-65024	200	0.3	18	0.30	5	1,500	1CT:1CT/1CT:2CT	b	H
PHST-65025	100	0.3	12	0.6	5	1,500	1CT:1CT/1CT:2CT	b	H

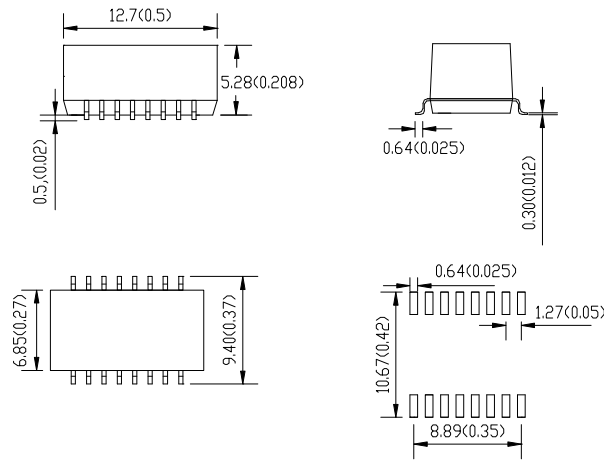
10BASE-T COUPLING TRANSFORMER

Dimension:mm(inch)+/-0.25(0.01)

a

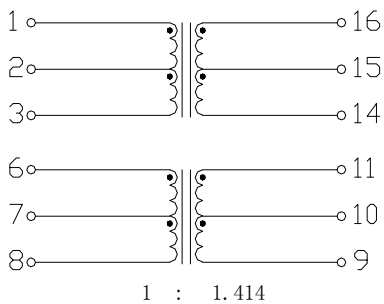


b

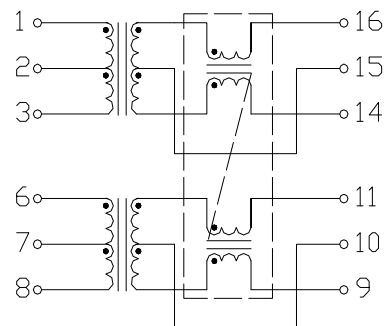


Schematic:

A



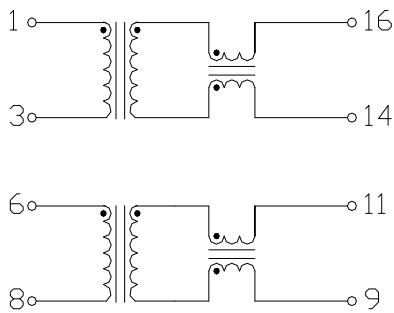
B



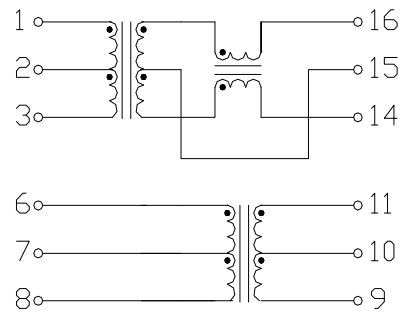
10BASE-T COUPLING TRANSFORMER

Schematic:

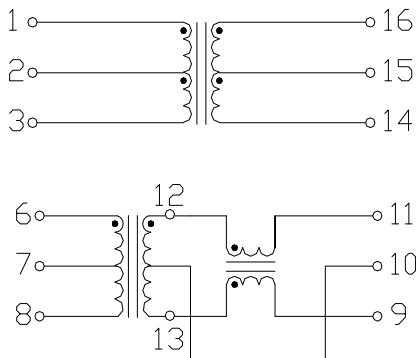
C



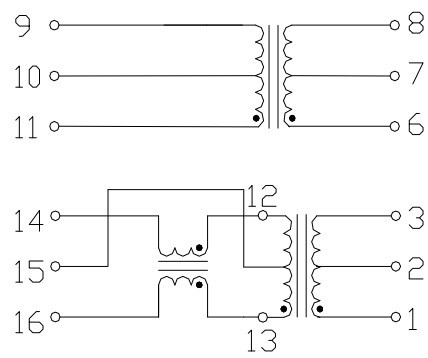
D



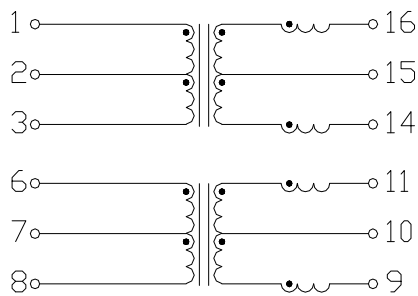
E



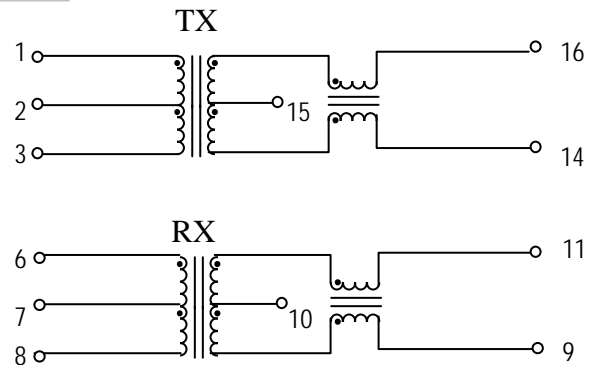
F



G



H





10BASE-T COUPLING TRANSFORMER



Schematic:

I

