

### 10BASE-T DUAL PORT THROUGH HOLE TRANSFORMERS

#### Features:

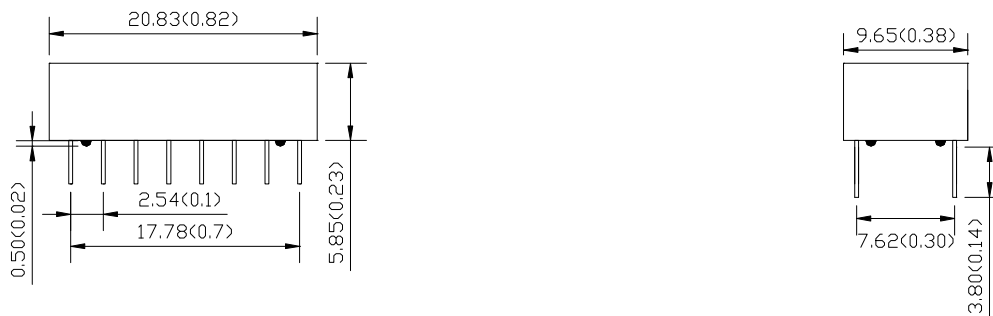
- Designed to meet IEEE 802.3 requirements.
- Designed for multiport repeater & switching, ethernet hub applications.

#### Specifications: at 25 degree C.

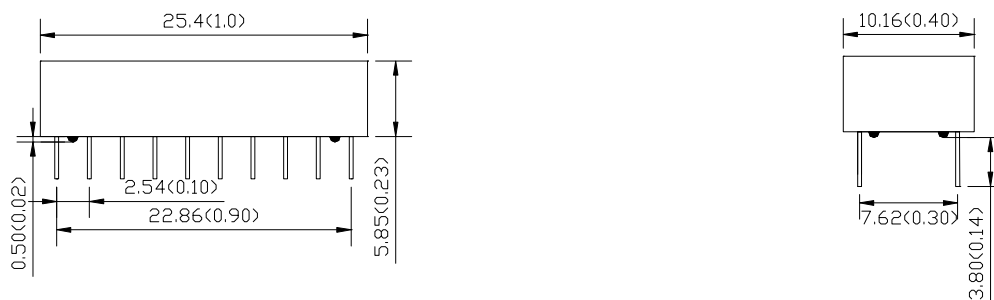
| Part NO    | Pri.OCL<br>uH min. | Leakage<br>Inductance<br>LL uH max | Turn<br>Ratio<br>TX,RX | Cww<br>pF.max | DCR<br>ohm max | Isolations<br>Vrms | Package | Schematic |
|------------|--------------------|------------------------------------|------------------------|---------------|----------------|--------------------|---------|-----------|
| PHST-68810 | 140                | 0.60                               | 1:1,1:1                | 17            | 0.50           | 600                | a       | A         |
| PHST-68811 | 160                | 0.60                               | 1:1,1:1                | 17            | 0.50           | 600                | a       | A         |
| PHST-68812 | 180                | 0.60                               | 1CT:1,1CT:1            | 17            | 0.50           | 1000               | b       | B         |
| PHST-68813 | 180                | 0.60                               | 1CT:1,1CT:1            | 17            | 0.50           | 1500               | b       | C         |

Dimension: mm(inch) $\pm$ 0.25(0.01)

a



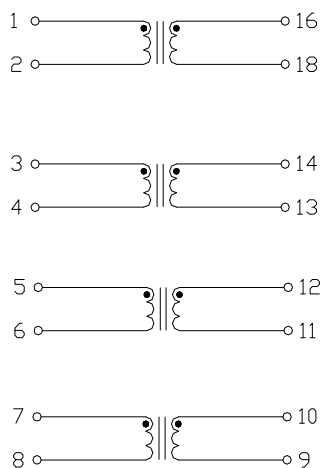
b



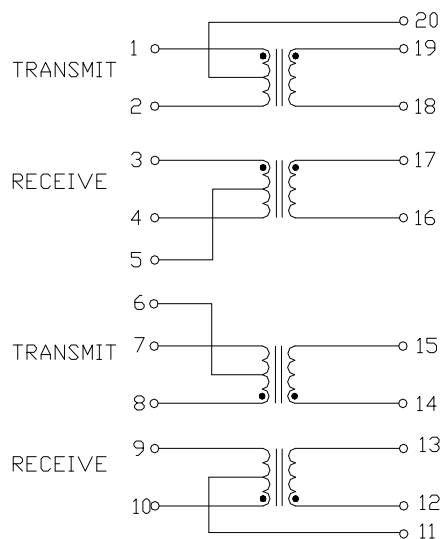
## 10BASE-T DUAL PORT THROUGH

Schematic:

A



B



C

